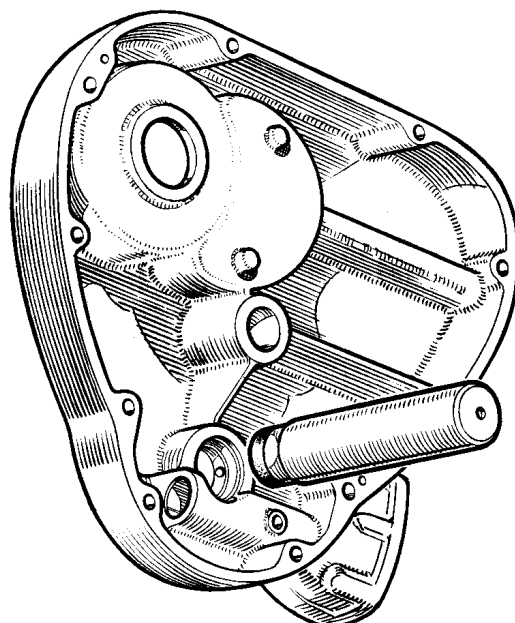
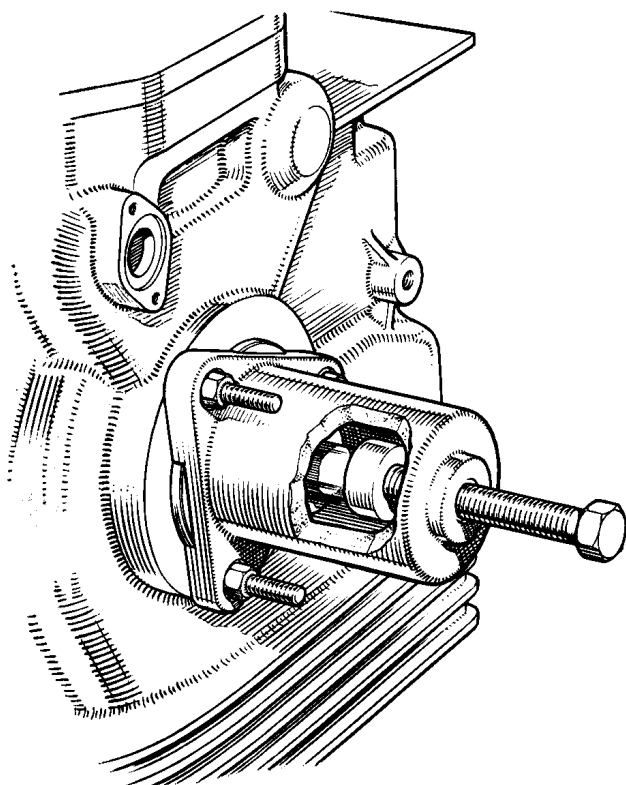


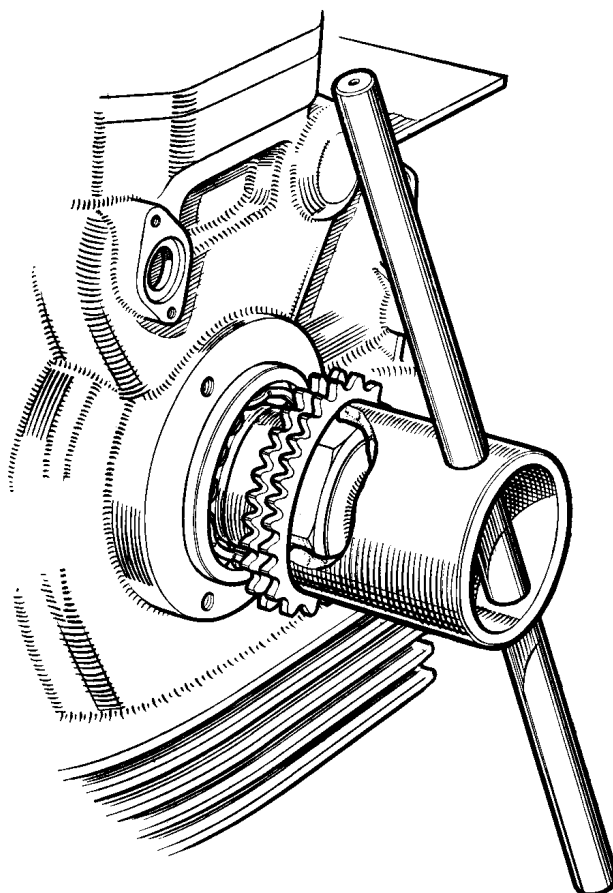
W.49907
CAMSHAFT SPROCKET EXTRACTOR



W.50011
DRIFT FOR ASSEMBLY OF
TIMING COVER SEALS



W.49910
CRANKSHAFT EXTRACTOR



W.49908
ENGINE SPROCKET NUT SPANNER