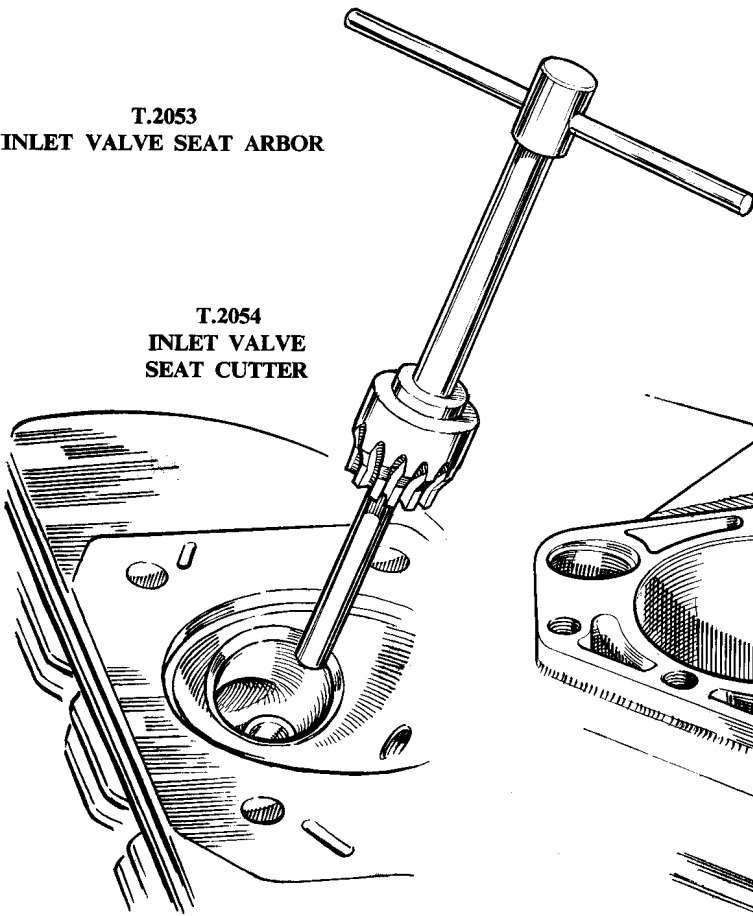
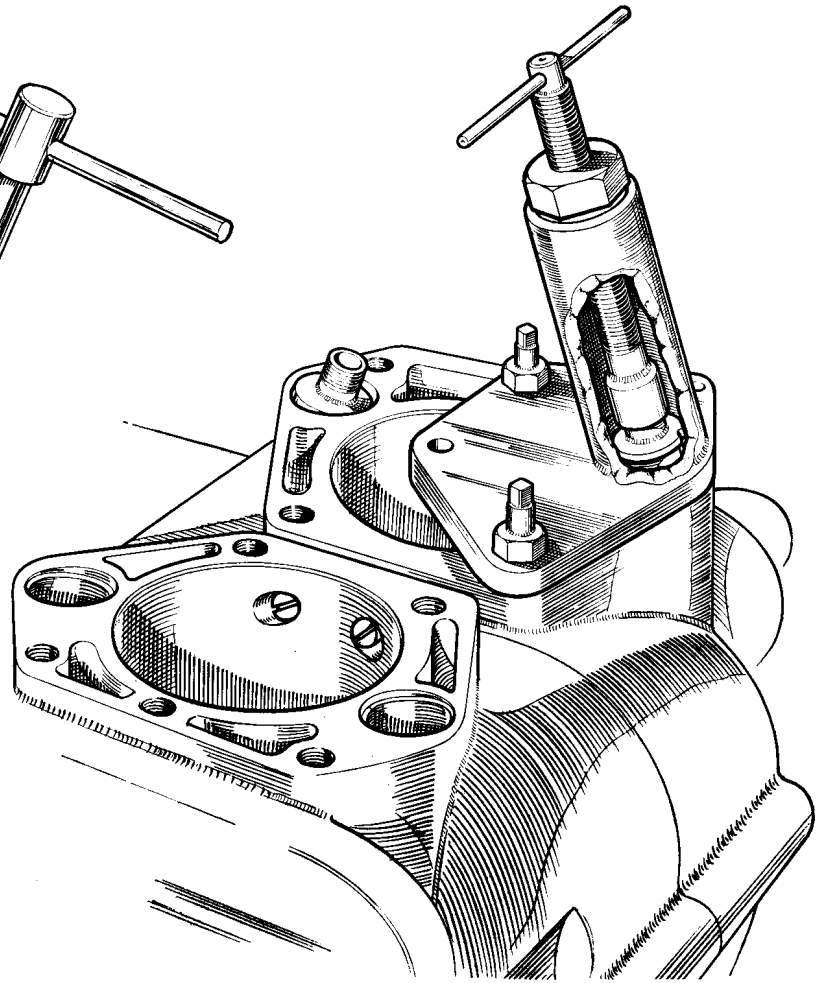


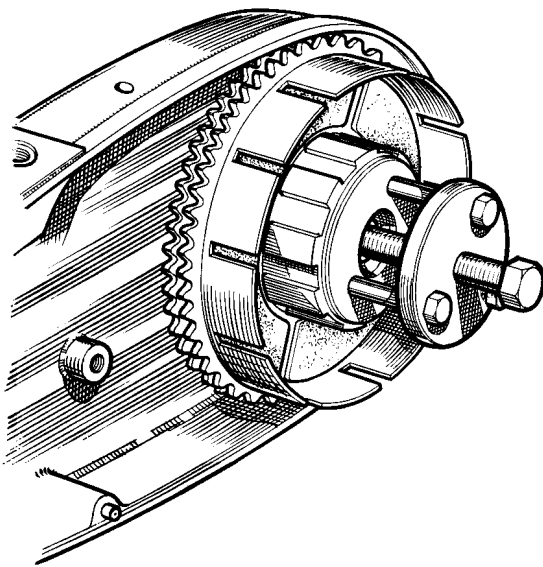
T.2053
INLET VALVE SEAT ARBOR



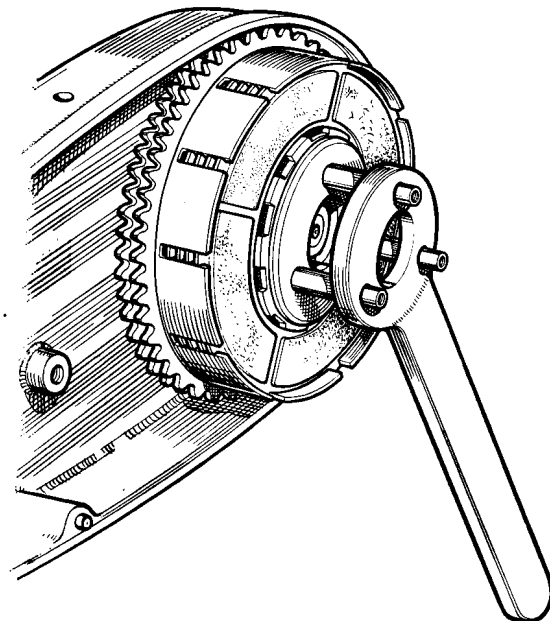
T.2054
INLET VALVE
SEAT CUTTER



W.49925
TAPPET GUIDE EXTRACTOR



W.49909
CLUTCH HUB EXTRACTOR



W.49919
CLUTCH HOLDING TOOL