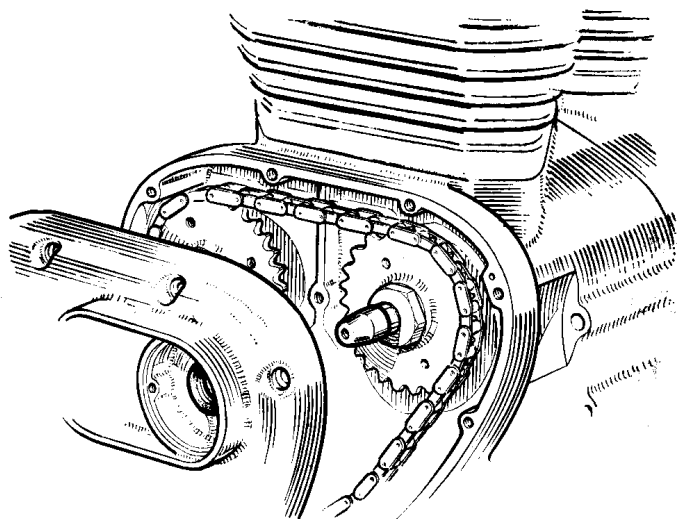
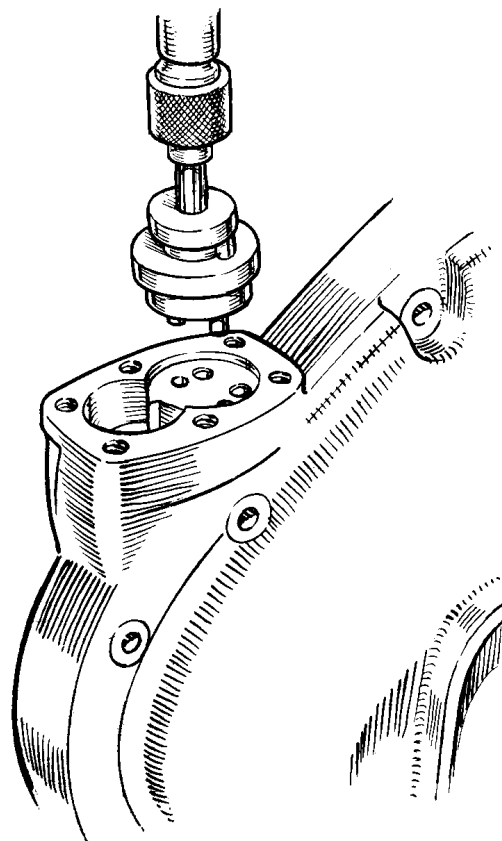


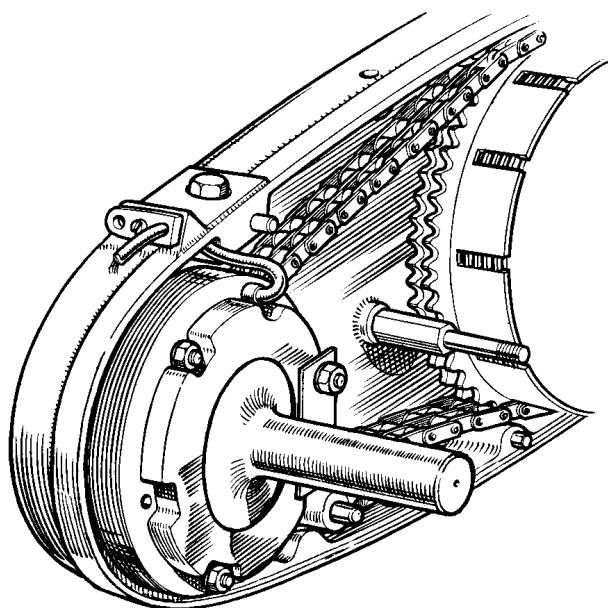
Special Tools



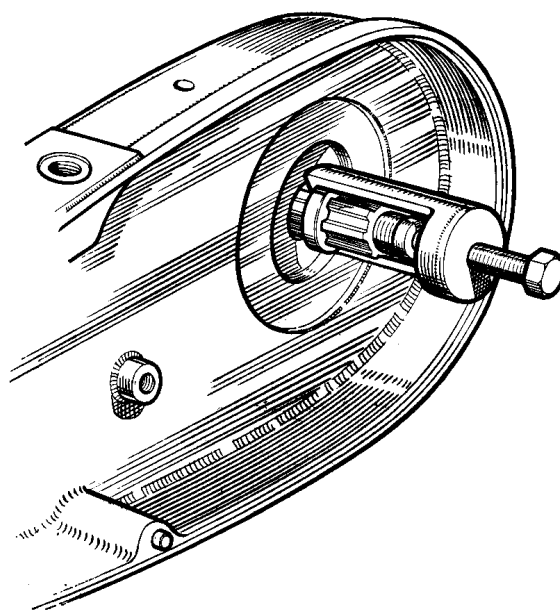
W.49994
CAMSHAFT SEAL ASSEMBLY THIMBLE



E.5425
PUMP DISC LAPPING TOOL



T.2055/19
ASSEMBLY GAUGE IN USE TO
CENTRALISE ROTOR



W.49926
GEARBOX COLLAR (SPLINED) EXTRACTOR